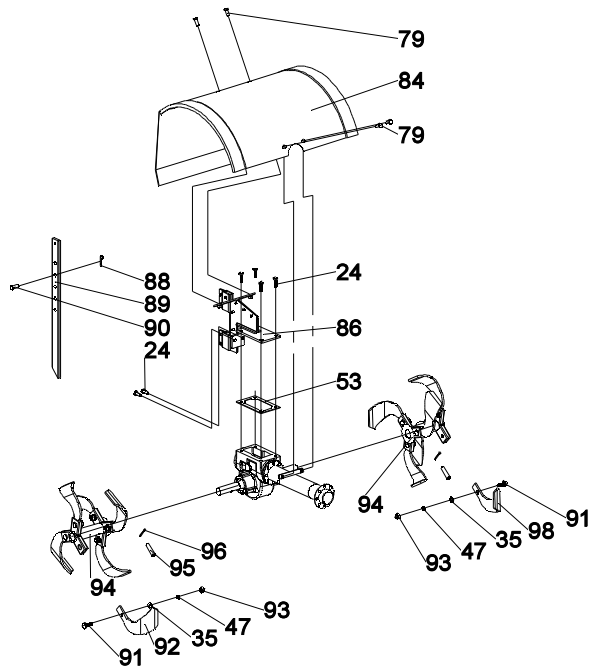
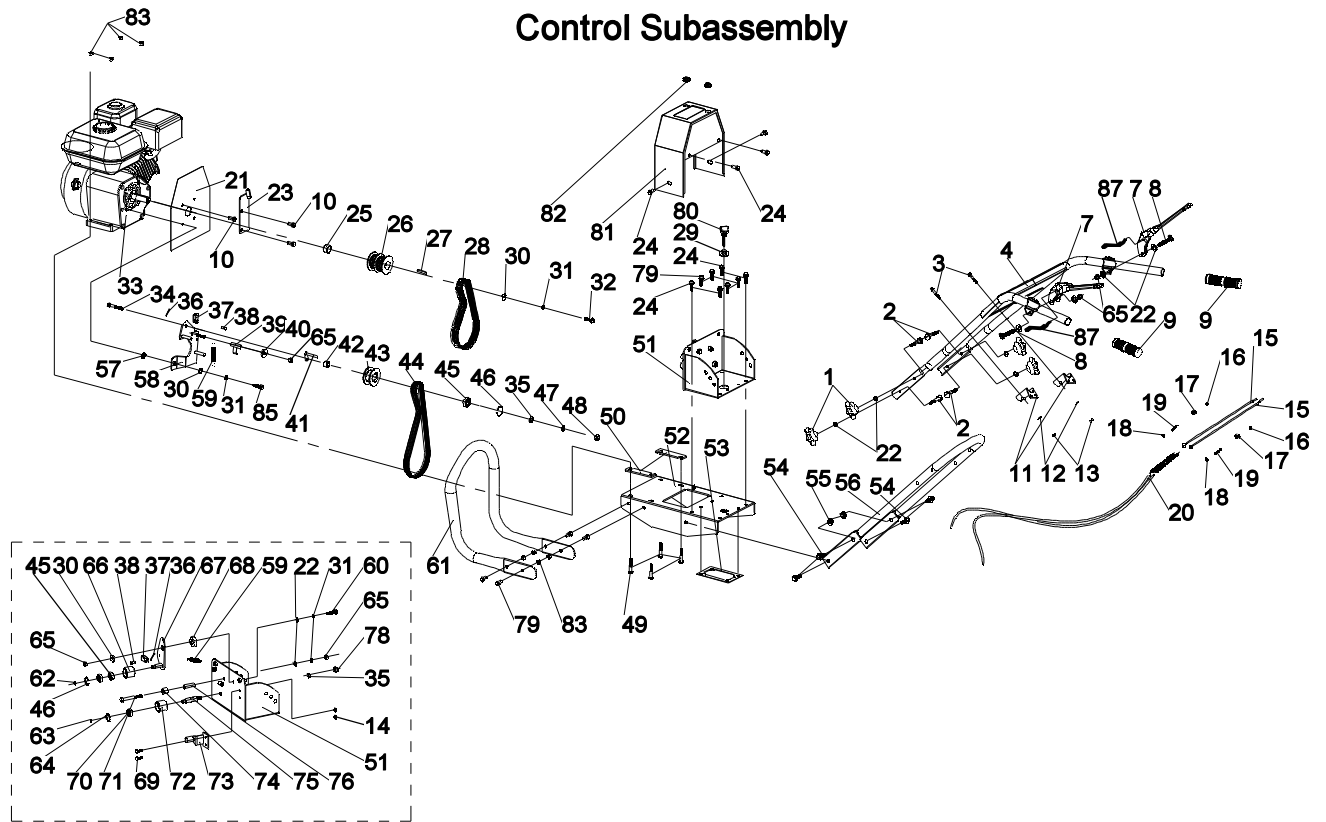


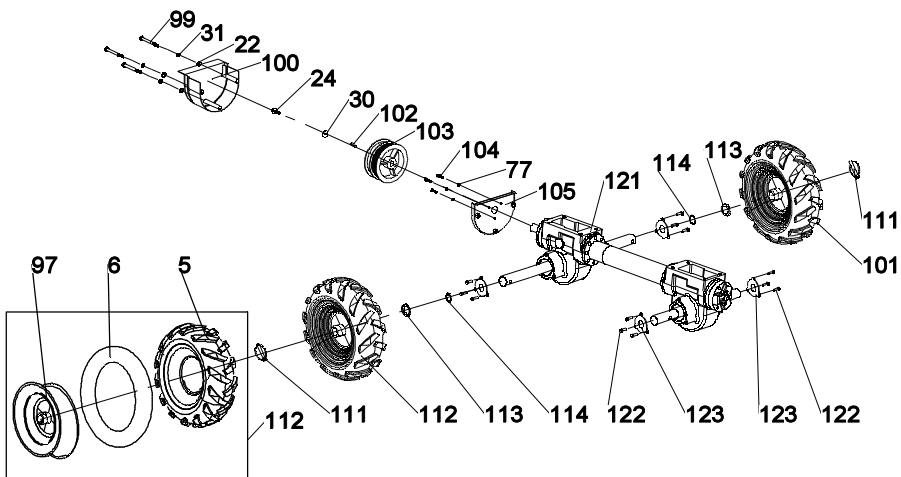
### Tine and Fender Subassembly



### Control Subassembly



### Transmission Subassembly



### Transmission Case Subassembly

